

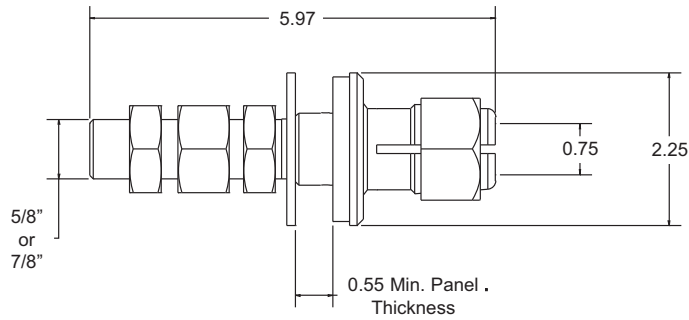


PDS Series Single Pole Power Panel Board Connectors

Part Number	Wire Size	Gender	Termination Style	Description	Ampacity
PDS-41535A	535MCM	Socket	Stud	Panel Board Socket with 7/8" Stud	900*
PDS-41535-5/8	535MCM	Socket	Stud	Panel Board Socket with 5/8" Stud	900*
PDS-40535-10L	313MCM	Pin	Solder	Pin Contact	900*
PDS-40535-11L	535MCM	Pin	Crimp	Pin Contact	900*
PDS-40535-20L	535MCM	Pin	Solder	Pin Contact	900*

* - When used with 125°C rated cable

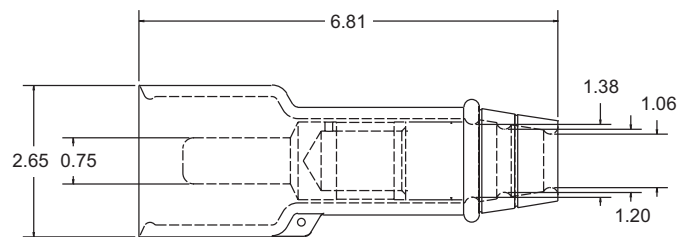
Contact material:
High conductivity copper alloy, silver plated.



Panel Board Socket: PDS-41535-XX

Part Number	Description
PDSB-10-X*	Pin contact Sealing Boot (cable sealing range: 1.125" - 1.50")

*Sealing Boot Part Number	Color
PDSB-10-B	Brown
PDSB-10-BL	Blue
PDSB-10-BK	Black
PDSB-10-G	Green
PDSB-10-O	Orange
PDSB-10-R	Red
PDSB-10-W	White
PDSB-10-Y	Yellow



Pin & Sealing Boot: PDSB-10-XX

Consult factory for additional product information



In-line male & female cable connectors



Panel mount male & female connectors

MOG Series Single Power Connectors

Big and bulky connectors don't always guarantee performance. The MOG Power Series connectors, provides a revolutionary and superior design with a long list of features and benefits for oil, marine and gas applications. The single pole, high amperage connectors accommodate cable sizes ranging from 2/0 AWG to 535 MCM cables including the latest generation of Type P drilling cables, per IEEE 45. This connector series provides a proven secured locking coupling system and a field repairable contact system that rivals other similar power connectors. In addition, the smaller connector footprint allows greater use of the equipment panel while providing an organized connector area. The MOG Power Series provides the highest level of quality, efficiency, reliability and safety for oil field power distribution use. Consult the factory or contact one of our sales representatives or distributors to demonstrate this innovative design.

Features and Benefits

- Designed for use with Type P drilling cables @ 125°C per IEEE 45
- Cable accommodates size range from 2/0 AWG to 535 MCM
- High Conductivity/High Performance Copper Alloy silver plated crimp contacts
- Contacts are easily removable with plastic extraction tool
- 500 mating cycles minimum
- IP 68 environmental protection when mated
- CE recognized, UL and CSA applied (consult factory web site for latest product certifications)
- UL 94 VO Flame retardant material
- Patented "swivel" device removes cable torsion forces to the connector
- Protected pin front on Source side per IP2x to protect operators from shock hazard
- International phase color coding for: USA – Europe – UK – Australia
- EN/CE compliant metric cable glands
- Available secondary locking device (patented) for added safety protection
- Lighter weight and smaller footprint as compared to similar MOG power connectors
- Space saving design allows closer mounting of connectors and eliminates wasted panel usage
- High performance shock resistant shell hardware
- Triple Phase Identification provided not only with color coding but with:
 - Optional Phase markings on connector Line and Source side (Phase 1, 2, 3, Ground and Neutral)
 - Phase shell hardware that is mechanically keyed to prevent connection errors
- MOG Power connector series allows daisy chain interconnecting capabilities
- Shell hardware provides a heavy duty connector hand grip
- Simplified termination and assembly/repair of connectors with "unique" crimp removable contact design
- Proven quick and secured coupling interconnect system

Part Number Code Logic

P75X-LD1BN-535NS

X - Non-Locking
L - Locking

Style
L - Line
P - Panel Mount

Contact
D - Drain SRT
S - Source PIN

Mechanical Key
1-9

Color Marking

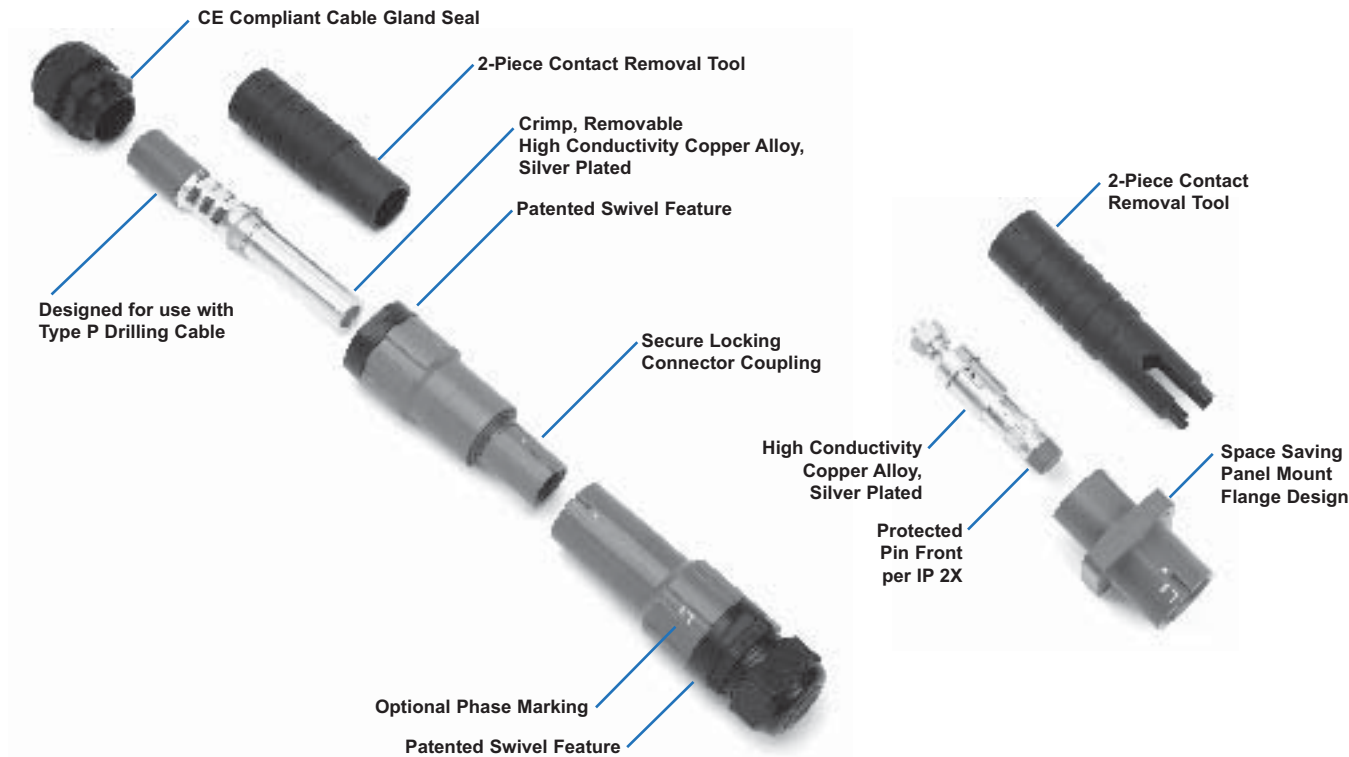
1 BN - Brown, PHASE 1	6 BK - Black PHASE 1
2 BK - Black, PHASE 2	7 RD - Red, PHASE 2
3 GY - Gray, PHASE 3	8 BL - Black, PHASE 3
4 BL - Blue, Neutral	9 WH - White, Neutral
5 GN - Green, Ground	

S - Swivel
Blank - None

Termination Barrel Type
N - Crimp
Blank - Solder
R - Pressure
T - Thd.
B - Lug/Bus

Wire Size
2/0
4/0
313
446
535

Consult factory for additional product information



International Phase Color Coding

Continent or Country	Phase 1	Phase 2	Phase 3	Ground	Neutral
Europe	Brown	Black	Gray	Green	Blue
UK	Red	Yellow	Blue	Green	Black
USA	Black	Red	Blue	Green	White
Australia	Red	White	Blue	Green	Black

Electrical/General Performance Characteristics

Insulation:	1000V
Flammability:	UL94 VO
Environmental Sealing:	IP 68
Rated voltage to Ground:	1,000 VAC
Contact Resistance:	<5m Ohms
Temperature Range:	-30°C/140°C
Maximum Current:	900A
Contact Material:	High Conductive Copper Alloy

Crimping Information

Cable Size	Crimping Die *	Number of Crimps	Outside Dia. (mm)	Inside Dia. (mm)
4/0 AWG	ME-30 C	1	20.0	15.9
313 MCM	ME-37 C	1	24.2	19.6
444 MCM	ME-48 C	2	30.0	22.2
535 MCM	ME-60 C	3	30.0	23.9

* - For use with ASTM Class I wire.

Consult factory for additional product information