

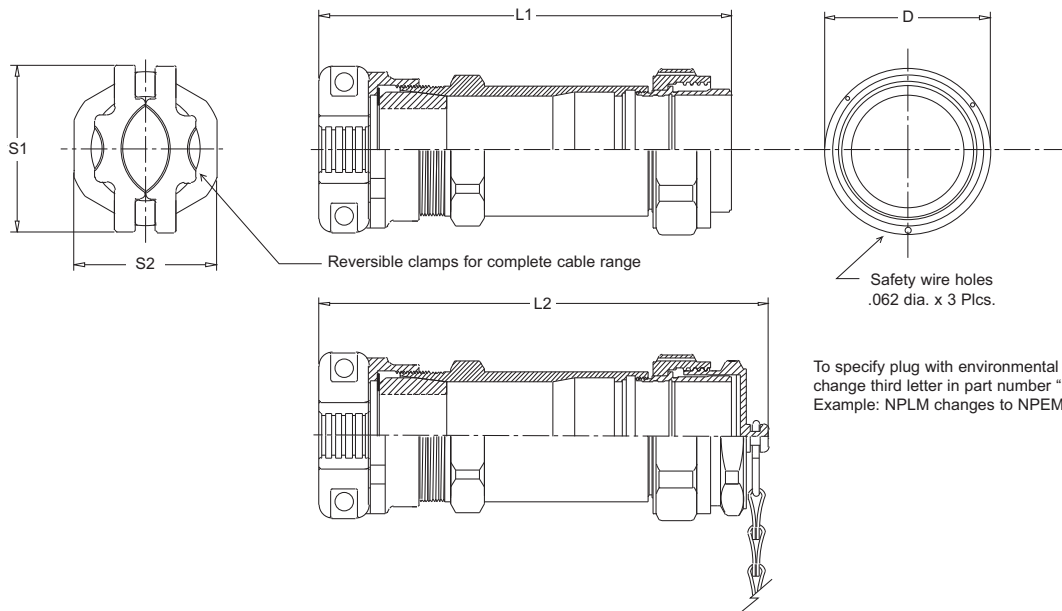


## Types NPLM & NPEM

### Straight Plug with Mechanical Clamp Nut and Environmental Cover

To specify a complete plug substitute the Dash number of the contact insert for the Asterisk (\*) in the catalog number listed below.

Size Cable	Shell Size	Part No. with Std. Coupling Nut	Dimensions with Standard Cable Adapter					Part No. with Jack Coupling Nut
			L1	L2	D	S1	S2	
Select from table on page 35 and substitute Symbol No. for XX	06	NPLMXX06-*	6.18	6.71	1.81	2.37	1.75	NPLMJXX06-*
	08	NPLMXX08-*	6.43	7.03	2.31	3.00	2.25	NPLMJXX08-*
	10	NPLMXX10-*	7.00	7.59	2.81	3.75	2.75	NPLMJXX10-*
	C10	NPLMXXC10-*	7.50	8.09	2.81	3.75	2.75	NPLMJXXC10-*
	12	NPLMXX12-*	7.56	8.15	3.31	4.50	3.25	NPLMJXX12-*
	C12	NPLMXXC12-*	8.06	8.65	3.31	4.50	3.25	NPLMJXXC12-*
	14	NPLMXX14-*	8.12	8.71	3.81	5.12	3.75	NPLMJXX14-*
	C14	NPLMXXC14-*	8.62	9.21	3.81	5.12	3.75	NPLMJXXC14-*
Dimensions with Long Cable Adapter								
	06	NPLMLXX06-*	8.37	8.96	1.81	2.37	1.75	NPLMLJXX06-*
	08	NPLMLXX08-*	8.68	9.28	2.31	3.00	2.25	NPLMLJXX08-*
	10	NPLMLXX10-*	9.25	9.84	2.81	3.75	2.75	NPLMLJXX10-*
	C10	NPLMLXXC10-*	9.75	10.34	2.81	3.75	2.75	NPLMLJXXC10-*
	12	NPLMLXX12-*	9.81	10.40	3.31	4.50	3.25	NPLMLJXX12-*
	C12	NPLMLXXC12-*	10.31	10.90	3.31	4.50	3.25	NPLMLJXXC12-*
	14	NPLMLXX14-*	10.12	10.71	3.81	5.12	3.75	NPLMLJXX14-*
	C14	NPLMLXXC14-*	10.62	11.21	3.81	5.12	3.75	NPLMLJXXC14-*



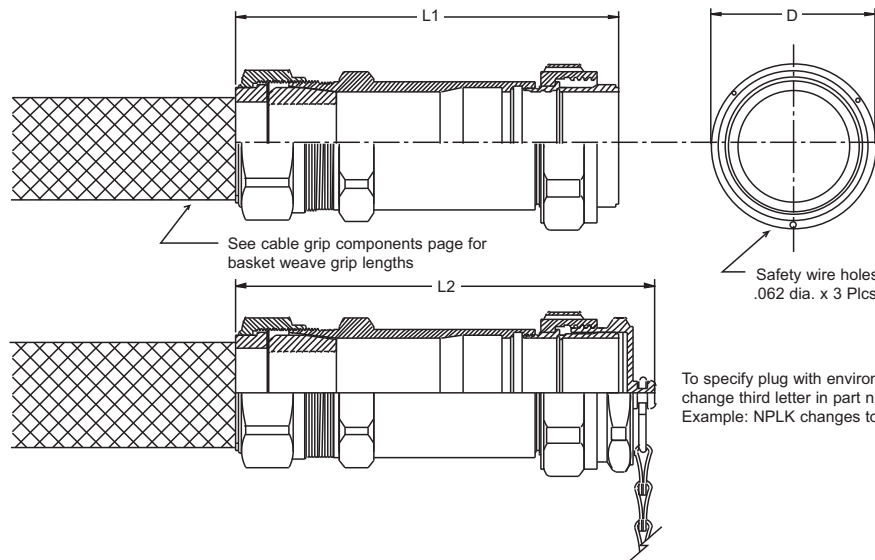


## Types NPLK & NPEK

### Straight Plug with Basket Weave Grip, Gland Nut and Environmental Cover

To specify a complete plug substitute the Dash number of the contact insert for the Asterisk (\*) in the catalog number listed below.

Size Cable	Shell Size	Part No. with Std. Coupling Nut	Dimensions with Standard Cable Adapter			Part No. with Jack Coupling Nut	
			L1	L2	D		
Select from table on page 35 and substitute Symbol No. for XX	06	NPLKXX06-*	5.37	5.96	1.81	NPLKJXX06-*	
	08	NPLKXX08-*	5.62	6.21	2.31	NPLKJXX08-*	
	10	NPLKXX10-*	6.12	6.71	2.81	NPLKJXX10-*	
	C10	NPLKXXC10-*	6.62	7.21	2.81	NPLKJXXC10-*	
	12	NPLKXX12-*	6.62	7.21	3.31	NPLKJXX12-*	
	C12	NPLKXXC12-*	7.12	7.71	3.31	NPLKJXXC12-*	
	14	NPLKXX14-*	7.12	7.71	3.81	NPLKJXX14-*	
	C14	NPLKXXC14-*	7.62	8.21	3.81	NPLKJXXC14-*	
	Dimensions with Long Cable Adapter						
	06	NPLKLXX06-*	7.62	8.21	1.81	NPLKLJXX06-*	
	08	NPLKLXX08-*	7.87	8.46	2.31	NPLKLJXX08-*	
	10	NPLKLXX10-*	8.37	8.96	2.81	NPLKLJXX10-*	
	C10	NPLKLXXC10-*	8.87	9.46	2.81	NPLKLJXXC10-*	
	12	NPLKLXX12-*	8.87	9.46	3.31	NPLKLJXX12-*	
C12	NPLKLXXC12-*	9.37	9.96	3.31	NPLKLJXXC12-*		
14	NPLKLXX14-*	9.12	9.71	3.81	NPLKLJXX14-*		
C14	NPLKLXXC14-*	9.62	10.21	3.81	NPLKLJXXC14-*		



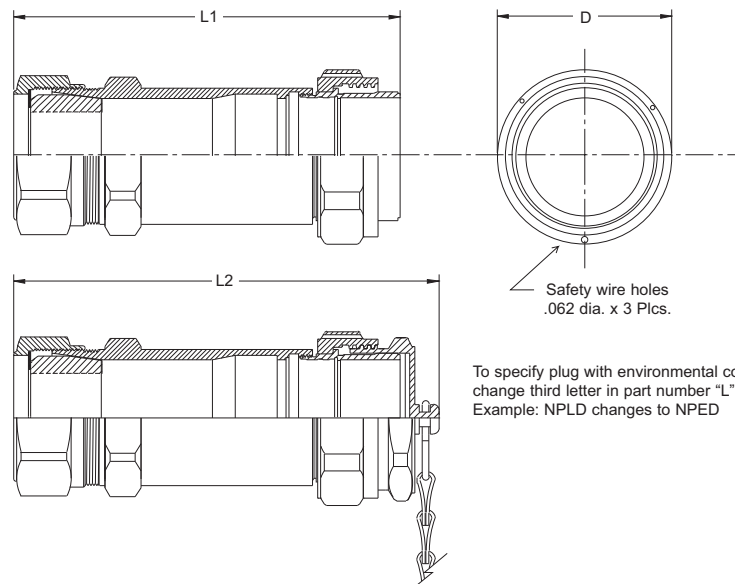


## Types NPLD & NPED

### Straight Plug with Standard Compression Nut and Environmental Cover

To specify a complete plug substitute the Dash number of the contact insert for the Asterisk (\*) in the catalog number listed below.

Size Cable	Shell Size	Part No. with Std. Coupling Nut	Dimensions with Standard Cable Adapter			Part No. with Jack Coupling Nut	
			L1	L2	D		
Select from table on page 35 and substitute Symbol No. for XX	06	NPLDXX06-*	5.37	5.96	1.81	NPLDJXX06-*	
	08	NPLDXX08-*	5.62	6.21	2.31	NPLDJXX08-*	
	10	NPLDXX10-*	6.12	6.71	2.81	NPLDJXX10-*	
	C10	NPLDXXC10-*	6.62	7.21	2.81	NPLDJXXC10-*	
	12	NPLDXX12-*	6.62	7.21	3.31	NPLDJXX12-*	
	C12	NPLDXXC12-*	7.12	7.71	3.31	NPLDJXXC12-*	
	14	NPLDXX14-*	7.12	7.71	3.81	NPLDJXX14-*	
	C14	NPLDXXC14-*	7.62	8.21	3.81	NPLDJXXC14-*	
	Dimensions with Long Cable Adapter						
	06	NPLDLXX06-*	7.62	8.21	1.81	NPLDLJXX06-*	
	08	NPLDLXX08-*	7.87	8.46	2.31	NPLDLJXX08-*	
	10	NPLDLXX10-*	8.37	8.96	2.81	NPLDLJXX10-*	
	C10	NPLDLXXC10-*	8.87	9.93	2.81	NPLDLJXXC10-*	
	12	NPLDLXX12-*	8.87	9.93	3.31	NPLDLJXX12-*	
C12	NPLDLXXC12-*	9.37	9.96	3.31	NPLDLJXXC12-*		
14	NPLDLXX14-*	9.12	9.71	3.81	NPLDLJXX14-*		
C14	NPLDLXXC14-*	9.62	10.21	3.81	NPLDLJXXC14-*		





## Types NPLT & NPET

### Straight Plug with Conduit Adapter and Environmental Cover

To specify a complete plug substitute the Dash number of the contact insert for the Asterisk (\*) in the catalog number listed below.

Shell Size	Conduit Size	Part No. with Std. Coupling Nut	Dimensions				Part No. with Jack Coupling Nut
			L1	L2	D1	D2	
06	3/4	NPLT-2 06-*	4.25	4.84	1.81	3/4	NPLTJ-2 06-*
08	1 1/4	NPLT-4 08-*	4.37	4.96	2.31	1 1/4	NPLTJ-4 08-*
10	1 1/2	NPLT-5 10-*	4.50	5.09	2.81	1 1/2	NPLTJ-5 10-*
C10	1 1/2	NPLT-5 C10-*	5.00	5.59	2.81	1 1/2	NPLTJ-5 C10-*
12	2	NPLT-6 12-*	4.62	5.21	3.31	2	NPLTJ-6 12-*
C12	2	NPLT-6 C12-*	5.12	5.71	3.31	2	NPLTJ-6 C12-*
14	2 1/2	NPLT-7 14-*	5.09	5.68	3.81	2 1/2	NPLTJ-7 14-*
C14	2 1/2	NPLT-7 C14-*	5.59	6.18	3.81	2 1/2	NPLTJ-7 C14-*

